



11mm Snap-in Insulated Potentiometers

RK1109G



Part Number

RK1109G – B 50K , L- 20 F

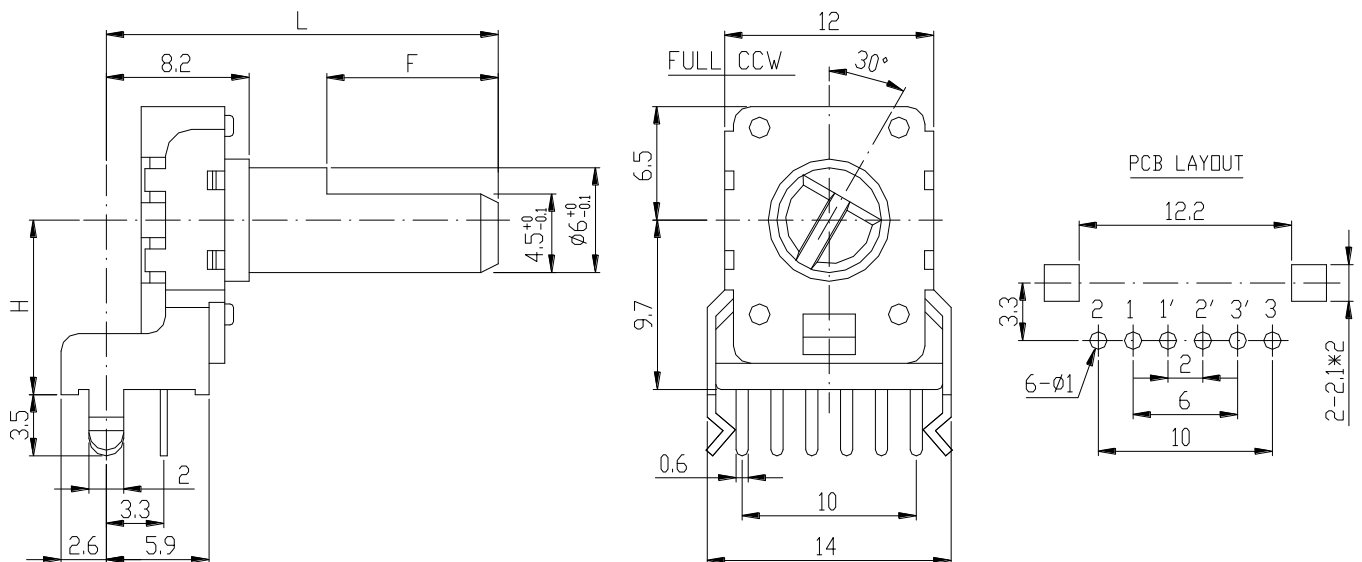
Taper

Shaft Length

Resistance value

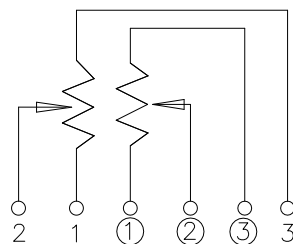
Shaft Type

Dimensions



Circuit Explanation

Dual





11mm Snap-in Insulated Potentiometers

Shaft Type

KC Type						
L	12.5	15	17.5	20	22.5	25
A	7	7	12	12	12	12

F Type						
L	12.5	15	17.5	20	22.5	25
F	7	7	12	12	12	12

**11mm Snap-in Insulated Potentiometers****General**

Operating temperature	-10 °C ~ +70 °C
Manual soldering	300 °C Max 3sec

Electrical Characteristics

Total resistance	5KΩ ~ 500KΩ
Resistance tolerance	±20%
Resistance taper	A B C
Sliding noise	Less than 80 mV
Residual resistance	Term. 1~2 :Less than 20Ω Term. 2~3 :Less than 40Ω
Insulation resistance	More than 100MΩ at DC 250V
Rated power(W)	0.05W
Max. Operating voltage	AC 30V (for AC only)
Withstand voltage	1 Minute at AC 300 V
Gang error	Linear (B) taper : 0 ~ -20dB ≤ 2 dB A/C Other tapers : 0 ~ -40dB ≤ 3 dB

Mechanical Characteristics

Total rotational angle	300° ± 5°
Rotational torque	30 ~ 200 gf.cm
Shaft push-pull strength	6Kgf. Max
Rotational stopper strength	3Kgf.cm Min
Rotational life	15,000 Cycles.